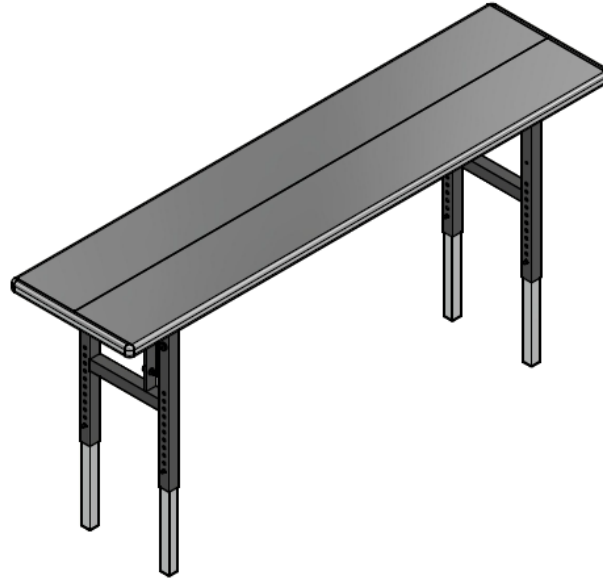


# ACCESSORY PRODUCT DATA SHEET

Part #: AT1872AL-0001, AT1872AL-0002, AT1872AL-0003, AT1872AL-0004, AT1872AL-0005, AT1872AL-0006



## 18 INCHES X 72 INCHES X 24.75 - 34.75 INCHES CELINA ALUMINUM TABLE, H STYLE ADJUSTABLE LEGS

<b>CONTRACTOR NAME:</b>	Celina Tent Inc. (CELINA)	
<b>MANUFACTURING SOURCE COMPANY:</b>	Celina Tent Inc. (CELINA)	
<b>PART NUMBER OR NSN:</b>	Part #'s listed in Special/Additional Features	
<b>SPECIFICATIONS AS APPLICABLE:</b>		
<b>DIMENSIONS:</b>	Width: 18 Inches, Length: 72 Inches, Height: 24.75 - 34.75 Inches	
<b>WEIGHT (UNPACKAGED) (lb):</b>	33 lb	
<b>COLOR:</b>	Black, tan, or clear anodized	
<b>SPECIAL/ADDITIONAL FEATURES:</b>	<ul style="list-style-type: none"> <li>• Holds up to 3,800 lb of evenly distributed weight on specific models</li> <li>• All weather aluminum construction</li> <li>• H style adjustable black legs</li> <li>• Surfaces can be easily sanitized</li> <li>• Superior durability verses wood or resin tables</li> <li>• Smooth round edges</li> <li>• Easy to carry</li> <li>• Fireproof</li> </ul>	
	<b>PART #'S</b>	<b>DESCRIPTION</b>
	AT1872AL-0001	Clear anodize finish top
	AT1872AL-0002	Clear anodize finish top with electrical cord knockout and cover
	AT1872AL-0003	Tan painted top
	AT1872AL-0004	Tan painted top with electrical cord knockout and cover
	AT1872AL-0005	Black painted top
	AT1872AL-0006	Black painted top with electrical cord knockout and cover