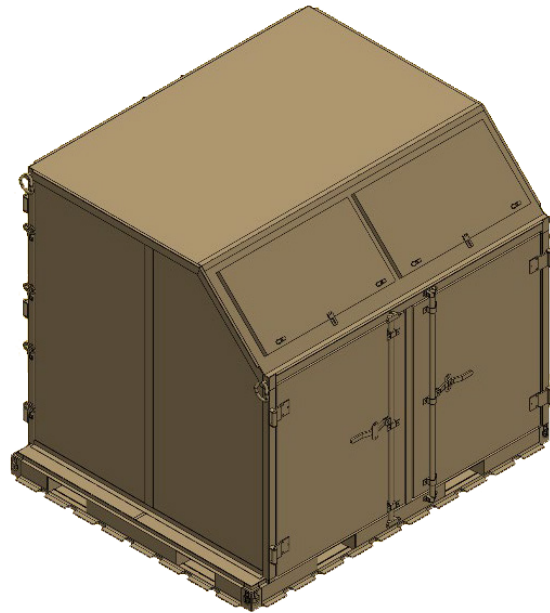


ACCESSORY PRODUCT DATA SHEET

Part #:10316T



EAC 90 AISLE SLANT, TAN

CONTRACTOR NAME:	Celina Tent Inc. (CELINA)
MANUFACTURING SOURCE COMPANY:	Highland Engineering Inc. (HEI)
PART NUMBER OR NSN:	Part #: 10316T
SPECIFICATIONS AS APPLICABLE:	
SAFETY AND MOBILITY CERTIFICATION BY MILITARY TEST CENTER	Certification for internal airlift has been granted by ATTLA. External airlift certifiable.
TRAILER	N/A
STOWAGE COMPONENTS INCLUDED WITH TRAILER	Reference the bottom of the document for information.
CARGO VOLUME STOWAGE, FOR SHELTER AND ACCESSORY COMPONENTS, IN CUBIC FEET	Interior Cube: 355 cubic feet Shipping Cube: 495 cubic feet
PHYSICAL DIMENSIONS FOR TRAILER HEIGHT, WIDTH, LENGTH	Height: 90 Inches Width: 80 Inches Length: 108 Inches
EMPTY GVW	Tare weight: 1,770 lb
SPECIAL/ADDITIONAL FEATURES:	<p>EAC 90 AISLE SLANT, TAN</p> <ul style="list-style-type: none"> • Four doors (two on each 108 inch side) • Forkliftable from all sides • Integral 463L compatible base rails • Hatches on slant surface • Winching rings at base corners • Anti-racking door locks • Multi purpose lifting/tiedown provisions at upper corners • Flat bottom provided for roller conveyor mobility • Center posts with slam-latch disconnect • Roof access steps • Has centerwall • Equipped with aisleway • Integrated track for shelving