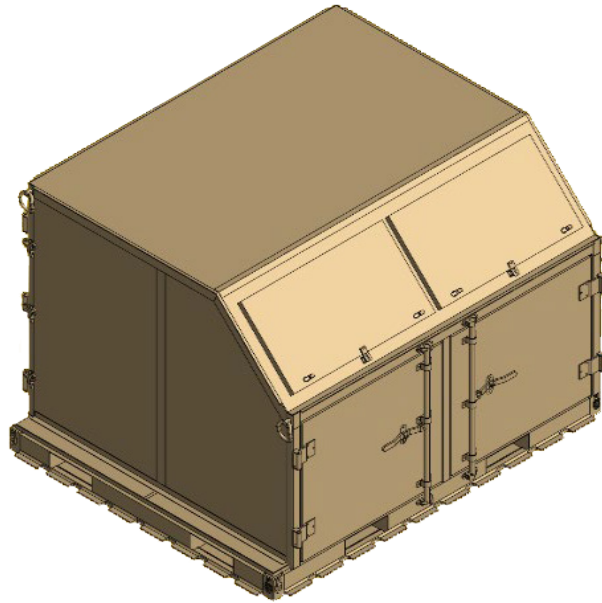


ACCESSORY PRODUCT DATA SHEET

Part #:10326T



EAC 70 AISLE SLANT, TAN

CONTRACTOR NAME:	Celina Tent Inc. (CELINA)
MANUFACTURING SOURCE COMPANY:	Highland Engineering Inc. (HEI)
PART NUMBER OR NSN:	Part #: 10326T
SPECIFICATIONS AS APPLICABLE:	
SAFETY AND MOBILITY CERTIFICATION BY MILITARY TEST CENTER	Certification for internal airlift has been granted by ATTLA. External airlift certifiable.
TRAILER	N/A
STOWAGE COMPONENTS INCLUDED WITH TRAILER	Reference the bottom of the document for information.
CARGO VOLUME STOWAGE, FOR SHELTER AND ACCESSORY COMPONENTS, IN CUBIC FEET	Interior Cube:266 cubic feet Shipping Cube: 385 cubic feet
PHYSICAL DIMENSIONS FOR TRAILER HEIGHT, WIDTH, LENGTH	Height: 70 Inches Width: 88 Inches Length: 108 Inches
Empty GVW	Tare weight: 1,590 lb
SPECIAL/ADDITIONAL FEATURES:	EAC 70 AISLE SLANT, TAN <ul style="list-style-type: none">• Four doors (two on each 108 inch side)• Forkliftable from all sides• Integral 463L compatible base rails• Hatches on slant surface• Winching rings at base corners• Anti-racking door locks• Multi purpose lifting/tiedown provisions at upper corners• Flat bottom provided for roller conveyor mobility• Center posts with slam-latch disconnect• Roof access steps• Has centerwall• Equipped with aisleway• Integrated track for shelving