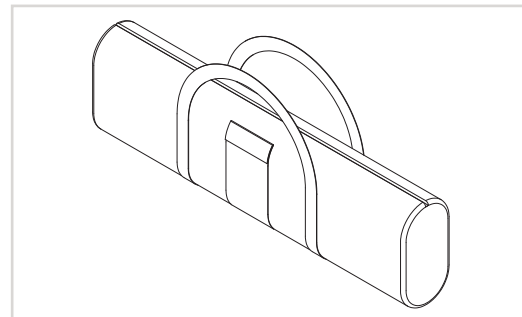


ACCESSORY PRODUCT DATA SHEET

Part #: M16B-0001



STORAGE BAG

CONTRACTOR NAME:	Celina Tent Inc. (CELINA)
MANUFACTURING SOURCE COMPANY:	Celina Tent Inc. (CELINA)
PART NUMBER OR NSN:	M16B-0001
SPECIFICATIONS AS APPLICABLE:	
INSULATED LINER	N/A
INSULATED FLOORING	N/A
SOLAR SHADE/ CAMOUFLAGE NETTING	N/A
WEIGHT (UNPACKAGED) lb	5 lb
COLOR IN ACCORDANCE WITH FED-STD-595	Grey/Black
SPECIAL/ADDITIONAL FEATURES:	Storage bag for ducting kit Bag Dimensions: Length 80 Inches, Height 20 Inches, Width 24 Inches Material: Vinyl, Grey/Black