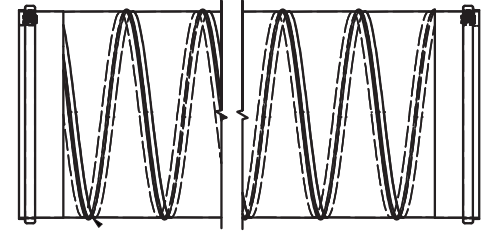
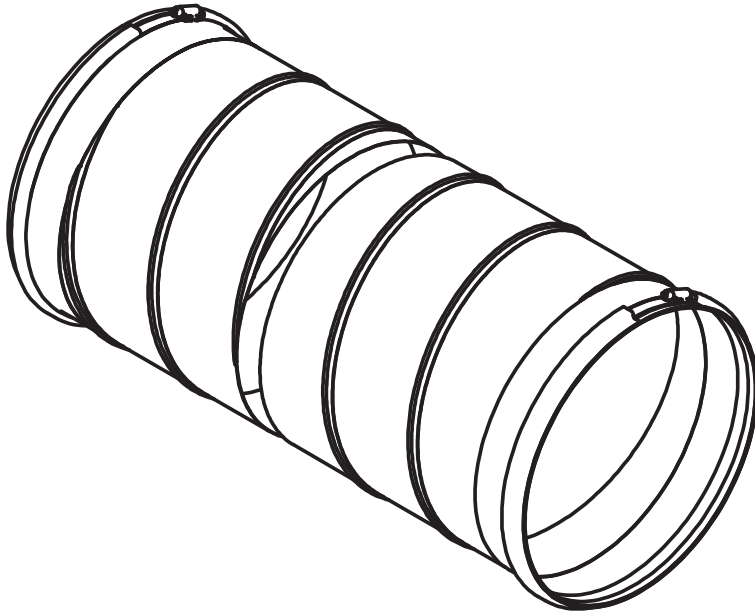


ACCESSORY PRODUCT DATA SHEET

Part #:M166153W2NHHTN



DUCT 16 INCH DIAMETER X 15 FEET

CONTRACTOR NAME:	Celina Tent Inc. (CELINA)
MANUFACTURING SOURCE COMPANY:	Celina Tent Inc. (CELINA)
PART NUMBER OR NSN:	Part #: M166153W2NHHTN
SPECIFICATIONS AS APPLICABLE:	
INSULATED LINER	N/A
INSULATED FLOORING	N/A
SOLAR SHADE/ CAMOUFLAGE NETTING	N/A
WEIGHT (UNPACKAGED) lb	21 lb
COLOR IN ACCORDANCE WITH FED-STD-595	Tan/black
SPECIAL/ADDITIONAL FEATURES:	<ul style="list-style-type: none">• Size: 16 inch diameter x 15 feet• 6" Pitch• 1" Wear strip• Non-insulated• Hose clamps on both ends