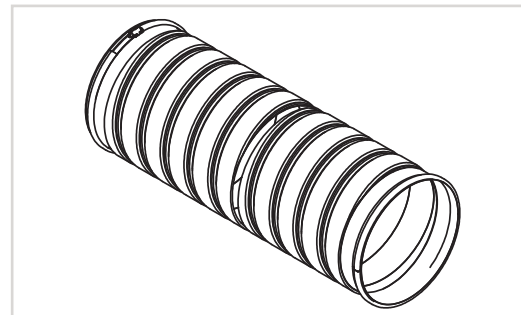
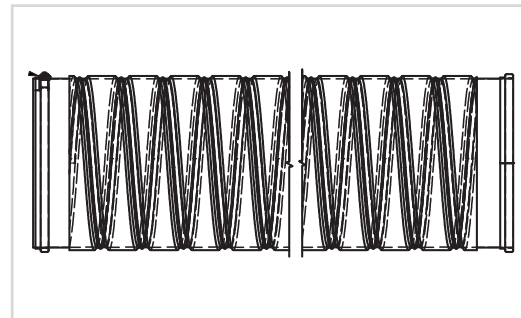


ACCESSORY PRODUCT DATA SHEET

Part #:M166153W2NHHGB



DUCT 16" DIAMETER X 15' LONG

CONTRACTOR NAME:	Celina Tent Inc. (CELINA)
MANUFACTURING SOURCE COMPANY:	Celina Tent Inc. (CELINA)
PART NUMBER OR NSN:	Part #: M166153W2NHHGB
SPECIFICATIONS AS APPLICABLE:	
INSULATED LINER	N/A
INSULATED FLOORING	N/A
SOLAR SHADE/ CAMOUFLAGE NETTING	N/A
WEIGHT (UNPACKAGED) lb	21 lb
COLOR IN ACCORDANCE WITH FED-STD-595	Green/black
SPECIAL/ADDITIONAL FEATURES:	<ul style="list-style-type: none">• Size: 16 inch diameter x 15 feet• 4 inch pitch• 1 inch wear strip• hose clamps on both ends